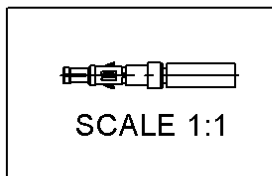
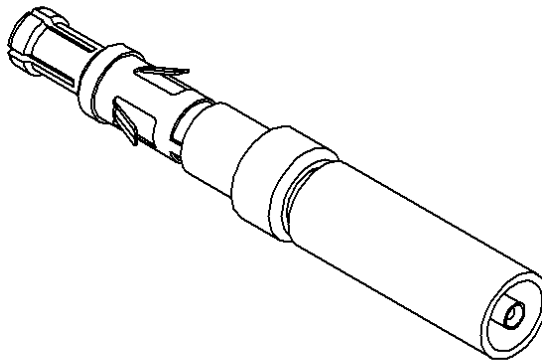
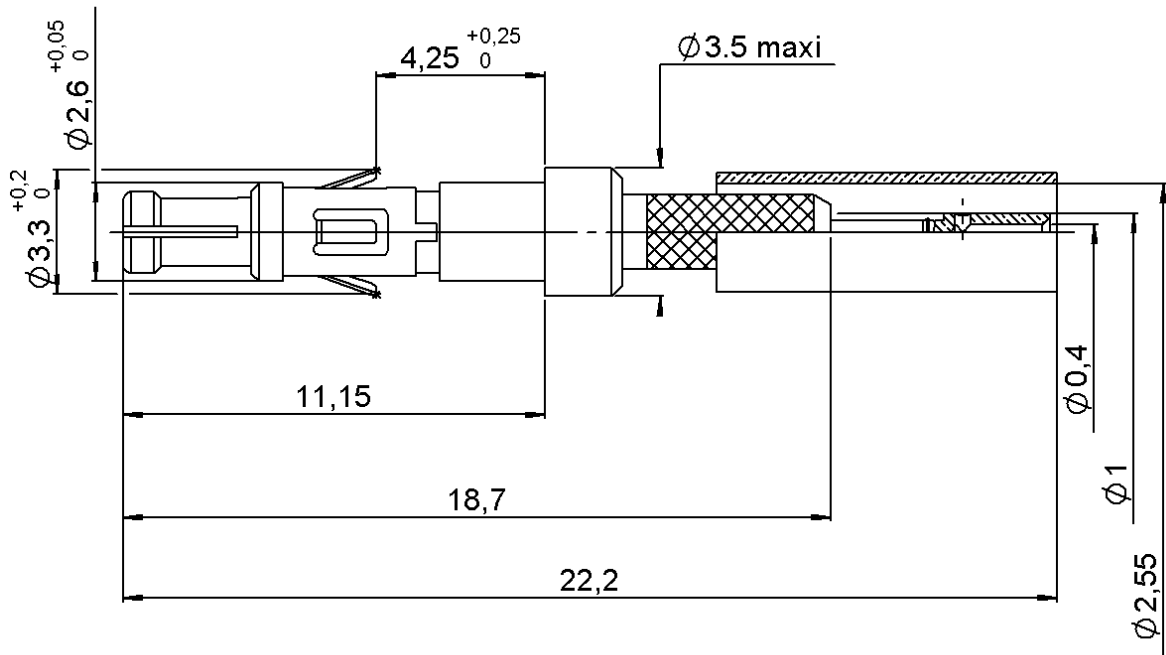


STRAIGHT PLUG CRIMP -

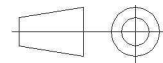
R199.001.203

CABLE 2/50 S

Series : MCC2



All dimensions are in mm.



COMPONENTS	MATERIALS	PLATING (µm)
BODY	BRONZE	NPGR
CENTER CONTACT	BRASS	NPGR
OUTER CONTACT	-	-
INSULATOR	PTFE	
GASKET	-	
OTHERS PARTS	BRASS	GOLD 0.2 OVER NICKEL 2
.	.	.
.	.	.

Issue : 0814 B

In the effort to improve our products, we reserve the right to make changes judged to be necessary.



RADIALL®

STRAIGHT PLUG CRIMP -

R199.001.203

CABLE 2/50 S

Series : **MCC2**

PACKAGING

Standard	Unit	Other
100	'W' option	Contact us

SPECIFICATION

ELECTRICAL CHARACTERISTICS

Impedance	50	Ω
Frequency	0-6	GHz
VSWR	1.12* + 0,0000	x F(GHz) Maxi
Insertion loss	0.2	\sqrt{F} (GHz) dB Maxi
RF leakage	- (AD)	- F(GHz)) dB Maxi
Voltage rating	500	Veff Maxi
Dielectric withstanding voltage	750	Veff mini
Insulation resistance	5000	M Ω mini

CABLE ASSEMBLY

Stripping	a	b	c	d	e	f
mm	2,50	6,00	11,0	0,00	8,50	0,00

Assembly instruction : **Crimp 02**

Recommended cable(s)
 RG 196
 RG 178 LC
 RG 178
 KX 21

Characteristics indicated on this data sheet are those that can be achieved with the highest performance cable. Intrinsic limitations of the cable may diminish the performance of the assembly

Cable retention

- pull off **32** N mini
 - torque **NA** N.cm

MECHANICAL CHARACTERISTICS

Center contact retention		
Axial force – Mating end	NA	N mini
Axial force – Opposite end	NA	N mini
Torque	NA	N.cm mini

TOOLING

Part Number	Description	Hexagon
.	.	.
R282.281.000	CRIMPING TOOL	2x4 (pos. 4)
R282.967.030	POSITIONER FOR TOOL R282 281 000	
R282.211.000	CRIMPING TOOL	2.67
R282.293.000	CRIMPING TOOL M22520/5-01	
R282.235.003	CRIMPING DIES	2.67

Recommended torque		
Mating	NA	N.cm
Panel nut	NA	N.cm
Clamp nut	NA	N.cm
A/F clamp nut	0,0000	mm

Mating life	500	Cycles mini
Weight	0,6600	g

ENVIRONMENTAL

Operating temperature	-25/+125	$^{\circ}$ C
Hermetic seal	NA	Atm.cm3/s
Panel leakage	NA	

OTHER CHARACTERISTICS

- *1.12 maxi between 0 to 3 Ghz

Issue : **0814 B**

In the effort to improve our products, we reserve the right to make changes judged to be necessary.

